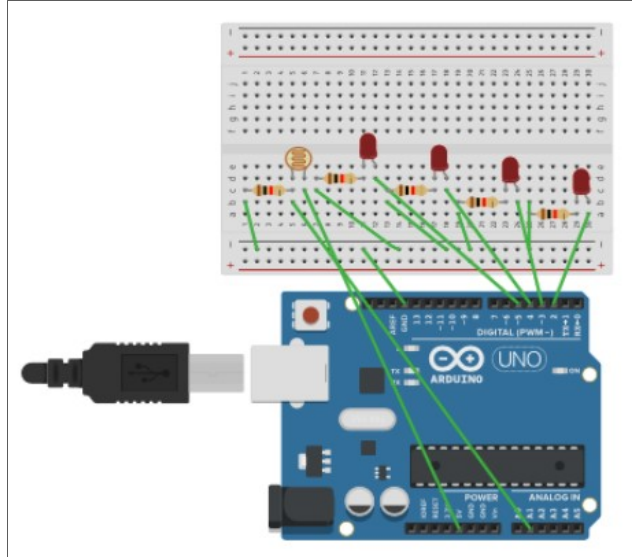


**TP 2 - LRD ET 4 LEDS : Programmer un éclairage automatique**



Nom	Quantité	Composant
U1	1	Arduino Uno R3
R1 R2 R3 R4 R6	5	1 k $\Omega$ Résistance
D1 D2 D3 D4	4	Rouge LED
R5	1	Photorésistance

<https://www.tinkercad.com/things/2RhwrAvgz76-ldr-avec-5-leds-perennes-philippe/editel?>

```

1 int counter;
2
3 void setup()
4 {
5   pinMode(A1, INPUT);
6   Serial.begin(9600);
7
8   pinMode(2, OUTPUT);
9   pinMode(3, OUTPUT);
10  pinMode(4, OUTPUT);
11  pinMode(5, OUTPUT);
12 }
13
14 void loop()
15 {
16   for (counter = 0; counter < 1000; ++counter) {
17     if (analogRead(A1) < 400) {
18       Serial.println(analogRead(A1));
19       digitalWrite(2, HIGH);
20       digitalWrite(3, HIGH);
21       digitalWrite(4, HIGH);
22       digitalWrite(5, HIGH);
23       delay(1000); // Wait for 1000 millisecond(s)
24     } else {
25       digitalWrite(2, LOW);
26       digitalWrite(3, LOW);
27       digitalWrite(4, LOW);
28       digitalWrite(5, LOW);
29       delay(1000); // Wait for 1000 millisecond(s)
30     }
31   }

```

A M O D I F I E R P O U R V O U S I M P R I M E R